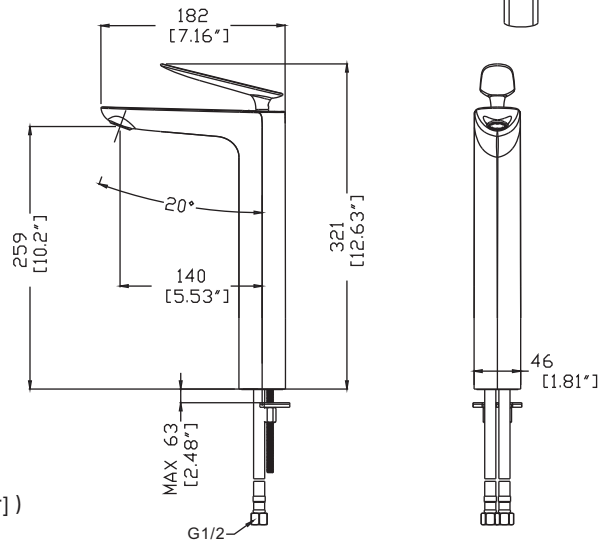




W35824

單把臉盆龍頭

安裝尺寸圖



■ 僅供參考 (單位=毫米[英寸])

產品規格與保養

安裝和使用前, 請先閱讀以下事項:

1 描述

- 鋅材質把手
- 銅材質主體
- 陶瓷閥芯(Φ25MM)

3 認證



2 技術參數

市場	參數	工作水壓	工作溫度
CNS8088		0.1-0.5MPa	10-65°C

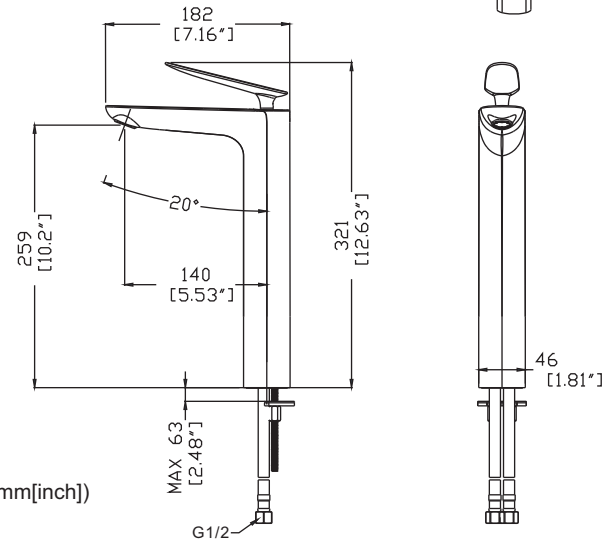
4 表面清潔保養

使用清水及棉布清除表面污垢.把清潔劑(溫和液體、無色玻璃清潔劑; 不含酸性, 可完全溶解粉狀清潔劑; 無磨損擦亮油) 噴到抹布上, 再用抹布擦拭龍頭表面.清潔後必須用足夠清水衝洗龍頭表面, 衝掉殘留在龍頭表面的清潔劑, 并用棉抹布抹幹.

W35824

SINGLE CONTROL LAV FAUCET

DIMENSIONS



■ For Reference only (unit = mm[inch])

TECHNICAL DETAILS

Please read the followings before installing and usage.

1 Description

- Zinc handle
- Solid brass construction
- Ceramic disc Cartridge(Φ25MM)

3 Certificate



2 Technique Parameter

Parameter Market	Water Pressure	Water Temperature
CNS8088	0.1-0.5MPa	10-65°C

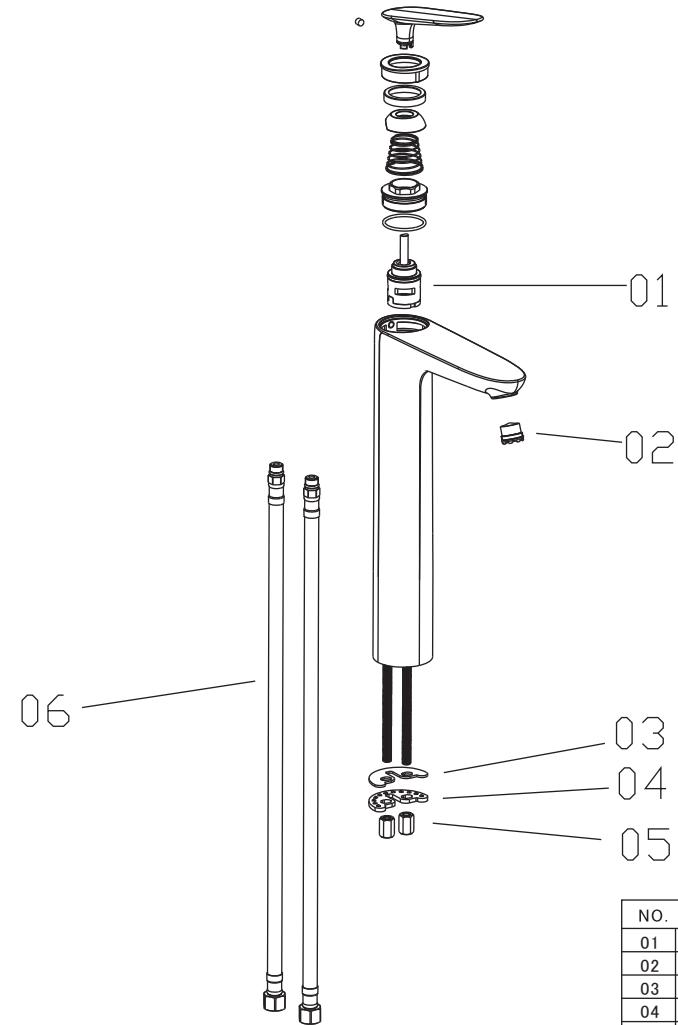
4 Surface maintenance

Remove any surface dirt and film using clean water and cotton cloth. Spray cleaner such as mild liquid detergents, clear liquid glass cleaner, non-acidic and fully dissolved powder cleaners or non-abrasive liquid polishers on the rag to clean the faucet surface.

Once clean, rinse faucet again with clear water to thoroughly remove cleaner and dry with soft cotton cloth.

EXPLODED DRAWING

Please read the followings before installing and usage.



NO.	Description	Qty
01	CARTRIDGE	1
02	AERATOR	1
03	WASHER	1
04	WASHER	1
05	NUT	2
06	HOSE	2

■ Notes: For reference only. We reserve the right to make changes without any notice.