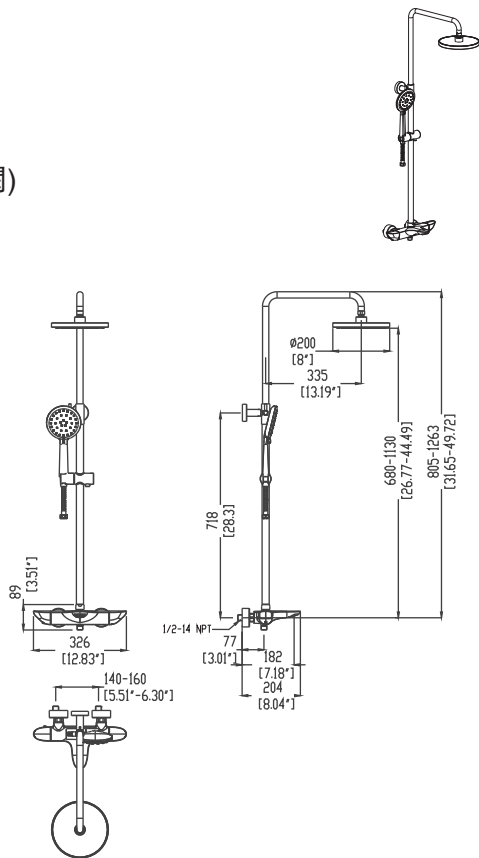


**S58824**

挂墙雙花灑浴缸龍頭(恒温閥)

安裝尺寸圖



■ 僅供參考 (單位=毫米[英寸])

產品規格與保養

安裝和使用前, 請先閱讀以下事項:

1 描述

- 金屬材質把手
- 銅材質主體
- 陶瓷閥芯
- 8"單功能頂噴花灑
- 含3功能吸氣花灑, 花灑插座, 1500mm花灑软管

2 技術參數

市場	參數	工作水壓	工作溫度
CNS8088		0.1-0.5MPa	10-65°C

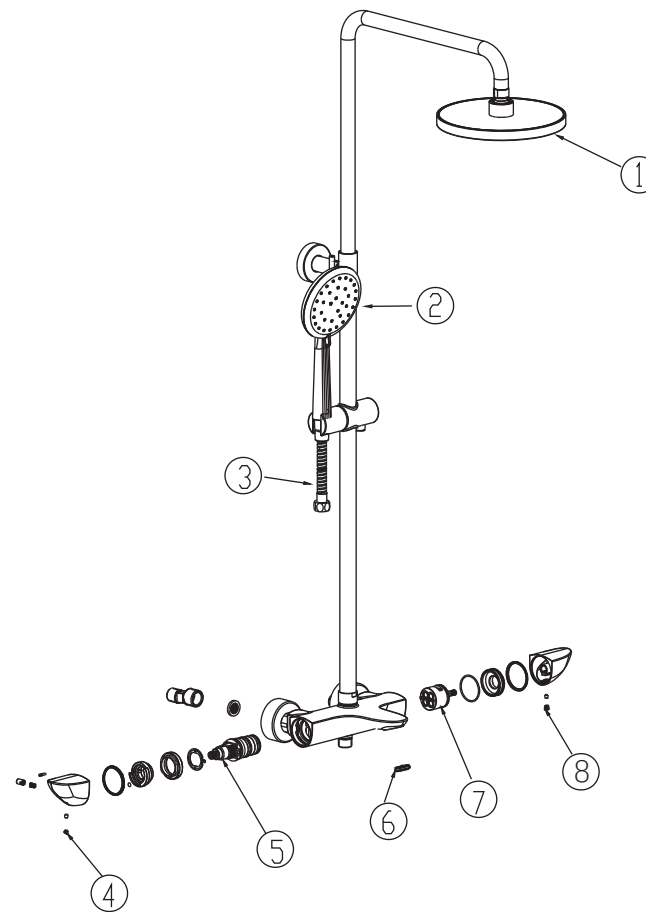
3 認證

4 表面清潔保養

使用清水及棉布清除表面污垢.把清潔劑(溫和液體、無色玻璃清潔劑;不含酸性,可完全溶解粉狀清潔劑;無磨損擦亮油)噴到抹布上,再用抹布擦拭龍頭表面.清潔後必須用足夠清水衝洗龍頭表面,衝掉殘留在龍頭表面的清潔劑,并用棉抹布抹幹.

龍頭爆炸圖

安裝和使用前, 請先閱讀以下事項:



序号	描述	数量
01	花灑	1
02	手握花灑	1
03	花灑软管	1
04	裝飾蓋	1
05	閥芯	1
06	起泡器芯子	1
07	換向閥	1
08	裝飾蓋	1

■ 包裝清單:

龍頭主體1PCS/升降杆組1PCS/软管1PCS/太陽花灑1PCS/手握花灑1PCS/六角扳手零件包1PCS /產品規格書1PCS/安裝說明書1PCS/保固卡1PCS

■ 注: 僅供參考, 本公司保留隨時修改之權利, 將不另行通知.

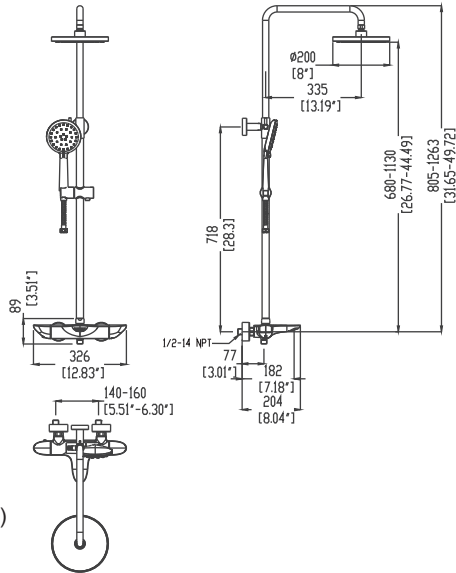


S58824

WALL-MOUNT CEILING SHOWER AND HAND SHOWER TUB FAUCET



DIMENSIONS



■ For Reference only (unit = mm[inch])

TECHNICAL DETAILS

Please read the followings before installing and usage.

1 Description

- Zinc handle
- Solid brass construction
- Ceramic disc cartridge
- Plastic 8" single setting shower head
- With 3-setting hand shower & bracket & 1500mm flexible hose

2 Technique Parameter

Parameter	Water Pressure	Water Temperature
Market		
CNS8088	0.1-0.5MPa	10-65°C

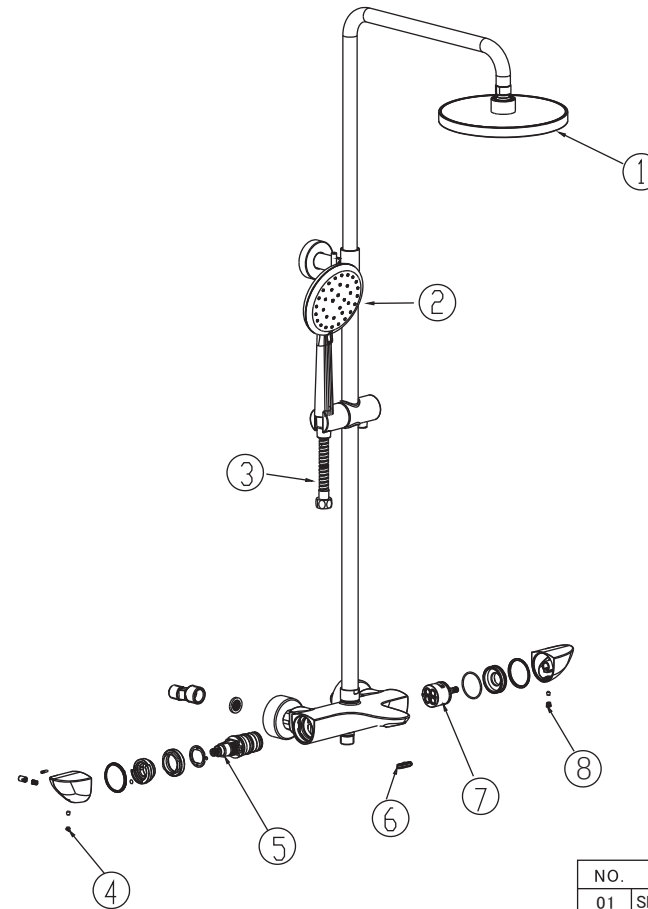
3 Certificate

Remove any surface dirt and film using clean water and cotton cloth. Spray cleaner such as mild liquid detergents, clear liquid glass cleaner, non-acidic and fully dissolved powder cleaners or non-abrasive liquid polishers on the rag to clean the faucet surface.

Once clean, rinse faucet again with clear water to thoroughly remove cleaner and dry with soft cotton cloth.

EXPLODED DRAWING

Please read the followings before installing and usage.



NO.	Description	Qty
01	SHOWER HEAD	1
02	HAND SHOWER	1
03	SHOWER HOSE	1
04	CAP	1
05	CARTRIDGE	1
06	AERATOR	1
07	DIVERTER	1
08	CAP	1

■ Notes: For reference only. We reserve the right to make changes without any notice.